

## MANAGER



### Technische Daten

|                      |                  |
|----------------------|------------------|
| Felgenaussenspannung | 12" - 24"        |
| Spannbereich innen   | 14" - 26"        |
| Max. Radbreite       | 15"              |
| Max. Raddurchmesser  | 1150 mm          |
| Abdruckerkraft       | 3500 kg          |
| Luftversorgung       | 8 - 10 bar       |
| Drehgeschwindigkeit  | 8 / 16 obr./min. |
| Spannungsversorgung  | 3 x 400V / 50 Hz |
| Motorleistung        | 1,3 kW / 1,8 kW  |
| Gewicht              | 380 kg           |
| Radhalter            | Pneumatyczny     |
| Maße                 | 1430/860/1550    |



Automatic tyre-changer **MANAGER 12" - 26"**

For rims from 12" to 26"  
Automatic column tilting  
Helper PLUS for high performance tyres  
Two speeds (8-16 rpm)  
Automatic bead-breaker  
Additional shelves with inflator  
Automatic Leverless finger - (optional)  
Inflator for tubeless tyres TI - (optional)  
New steering pedal system  
Modern look  
New locking system  
Working pressure 8-10 Bar





Automatically tilting column Automatic bead-breaker



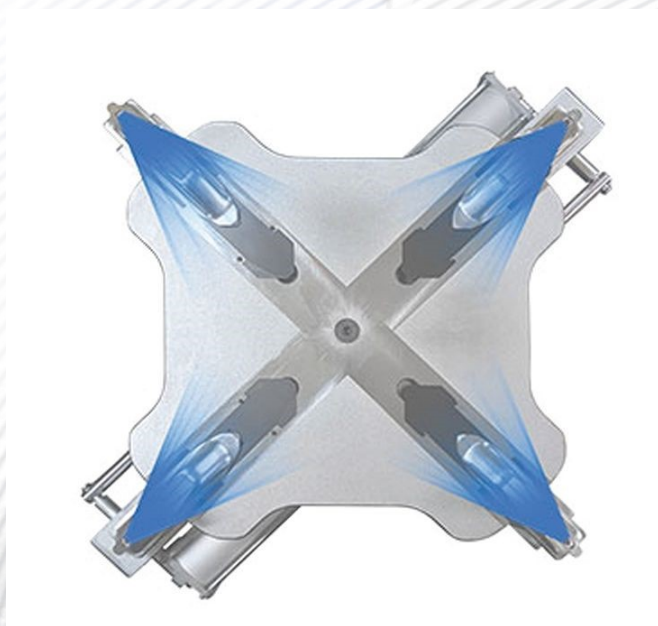




**Assistant PLUS**

**Additional shelves with inflator**

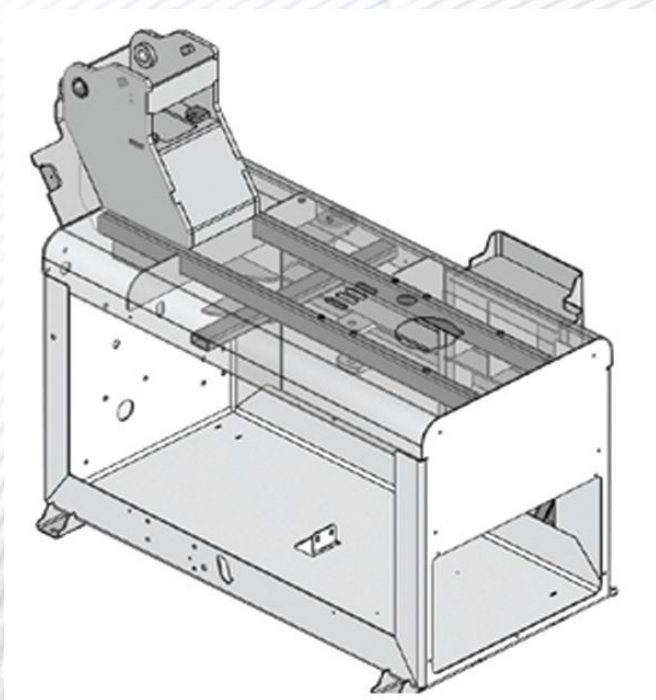




**Two speeds (8-16 rpm) Inflator TI for tubeless tyres**







**Automatic Leverless finger Reinforced structure**

