

YANKA K INV

YANKA K INV is primarily intended for low-profile and run-flat tyres. New trapezoidal column provides much greater rigidity and resistance to torsion. Thanks to adjustable jaws new enlarged table allows to work with aluminum rims up to 28 inches. The model with inverter motor provides smooth speed regulation from 3 to 16 rpm.

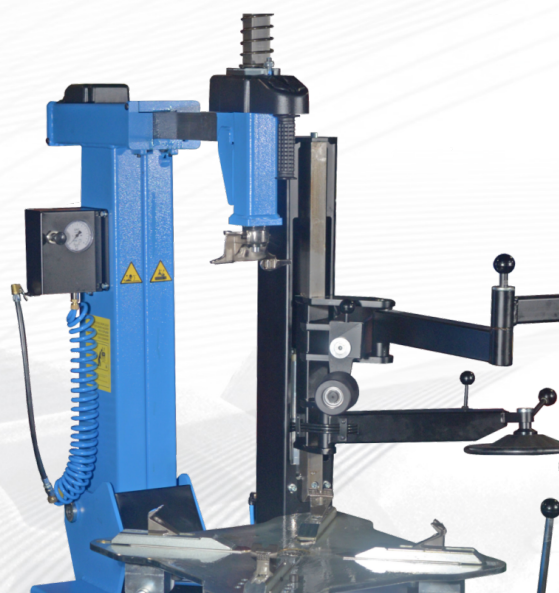


Technical Data

Inside clamping capacity	12" - 28"
Max. wheel diameter	1020 mm
Max. wheel width	15"
Table rotation speed	3-16 obr/min
Bead-breaker pressure force	2800 kg
Power of the drive engine	0,85 kW
Weight	300 kg
Electric supply	230V / 50 Hz
Pneumatic supply	8-10 Bar
Dimensions	1200/950/1950

Distinctive features:

**Trapezoidal column of high rigidity
guarantees safe operations on tyre
and rim**



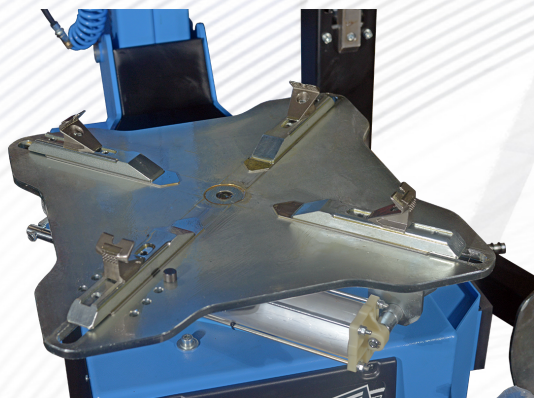
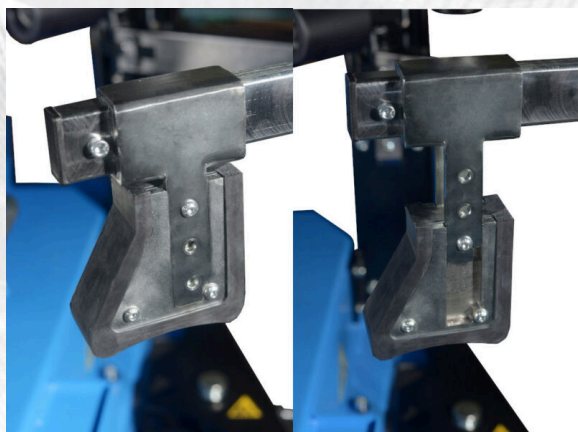
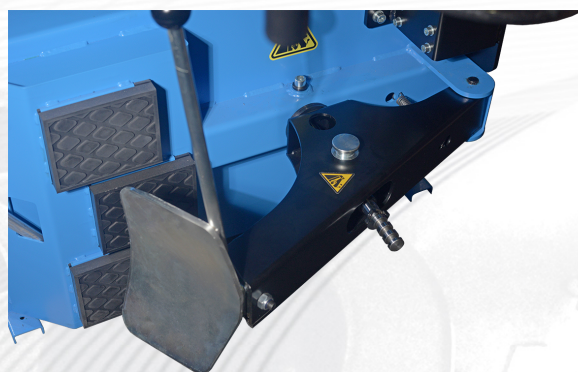


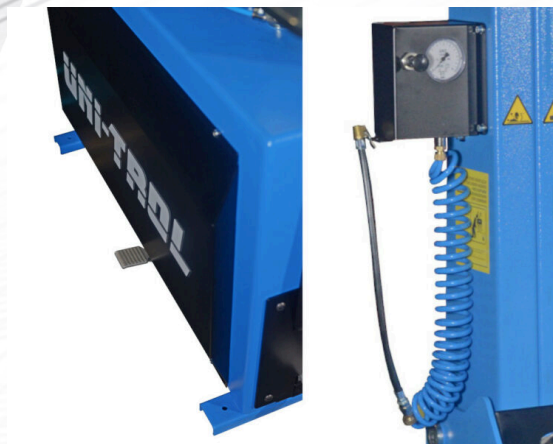
Table with adjustable jaw spacing for rims from 10 to 28 inches

Adjustable bead-breaker working range ensures safe operation with low-profile and run-flat tyre

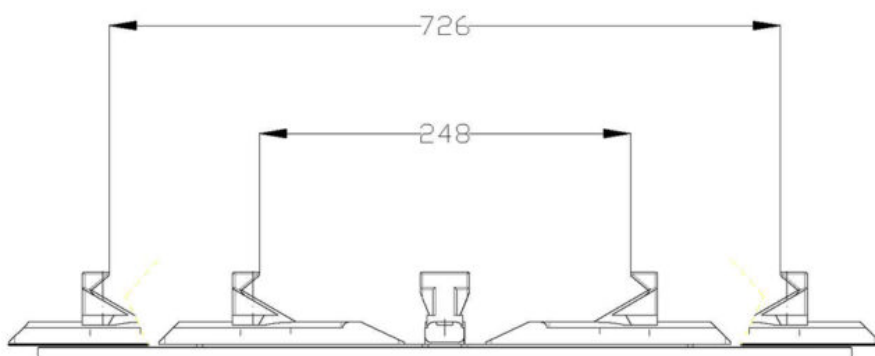


Adjustable height of auxiliary arm presser

Pedal inflating system



Clamping range:



Standard equipment:

- assistant for run-flat and low-profile tyres
- pedal inflating system
- lever
- protectors for aluminium rims
- roller protector

Available Colors



Basic Colors



Custom Colors

