

## 2451 L

2451 L is a wheel balancer with laser measuring arm entering wheel parameters and wheel guidance system directing the wheel to unbalance point. The system memorizes the data and shows precisely the weight position. The machine is equipped with ultrasonic sonar for contactless wheel width measurement and rim recognition system according to the entered parameters.

The completely new operating system based on two buttons and a wheel as a selection cursor makes the machine very intuitive to use.

- Automatic positioning lock
- Laser measuring arm
- Ultrasonic non-contact rim width acquisition
- Voice synthesizer
- ALU programmes
- 2 ALU programmes for motorbikes
- programme "hidden weight"
- optimization
- LCD monitor



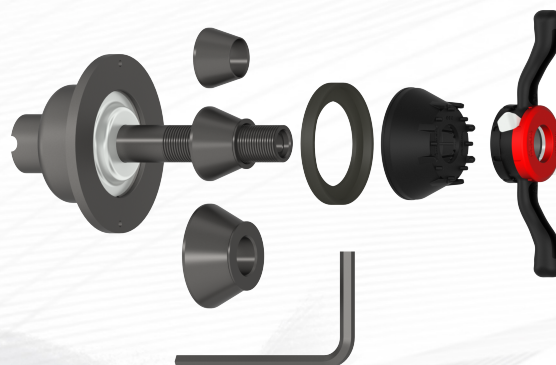
## Dane techniczne

Rim diameter range:	10" - 30"
Rim width range:	2" - 15"
Maximum wheel weight	70 kg
Balancing accuracy	1 g
Power of the drive engine	80 W
Electric supply	230V / 50Hz
Weight	120 kg

## Distinctive features:

---

**Haweke SoftGrip with cylinder 40 mm  
and 3 cones 44-111,5 mm.**



**Anvil.**



**Ergonomic tool tray.**



## Dostępne kolory



Kolory podstawowe




Kolory na zamówienie

## Wyposażenie dodatkowe

Indeks	Opis	Zdjęcie
DO-5P	Docisk palcowy 5-bolcowy	
150400049	Stożek 95-132 mm Ø40	
04.04.008.40	Stożek 125-145 mm Ø40	
06.04.009.40	Stożek 145-165 mm Ø40	

Indeks	Opis	Zdjęcie
150400043	Stożek 122-174 mm Ø40	
190400018	Pierścień dystansowy do stożków dostawczych Ø40	
W-U-5AH	Uchwyt motocyklowy	
PPK-2	Podnośnik koła PPK-1	

Indeks	Opis	Zdjęcie
T-CĘG-001	Cęgi wulkanizatorskie	
WT-2065-1	Skrobak do ciężarków klejonych	