

## JANKA 2B

Automatic tyre-changer for car and van wheels. The column and the arm move and blocked pneumatically. The tyres and wheels are handled with little effort and with the highest accuracy without the risk of tyre or rim damage. It also enables handling of aluminum rim wheels without any damage of delicate rim surface.

- strong and solid design
- self-centering four jaws turntable
- tyre inflating gun with manometer
- set of jaw protectors for aluminum rims
- head roll guard
- tyre lever
- two-speed motor 7/14 rpm



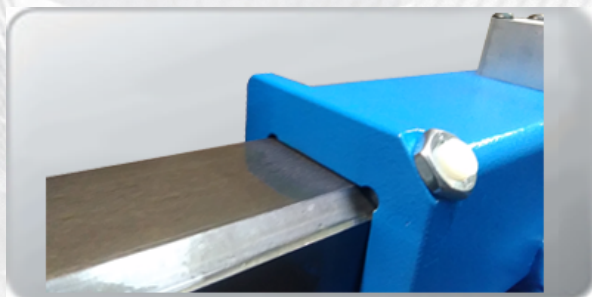
## Technical Data

Outside clamping capacity	10" - 26"
Max. wheel width	15"
Max. wheel diameter	1070 mm
Bead-breaker pressure force	2800 kg
Pneumatic supply	8 - 10 bar
Table rotation speed	7/14 obr./min.
Electric supply	3 x 400V / 50 Hz
Motor power	0,75 kW
Weight	200 kg
Wheel clamp	Pneumatyczny
Dimensions	800/1520/900

**Distinctive features:**

---

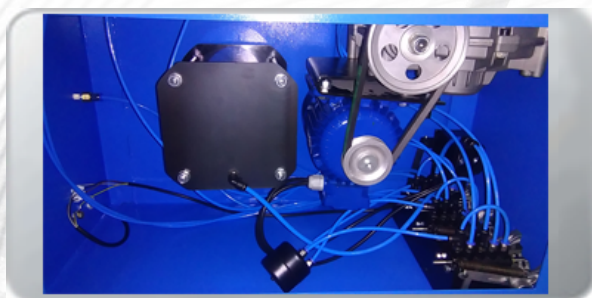
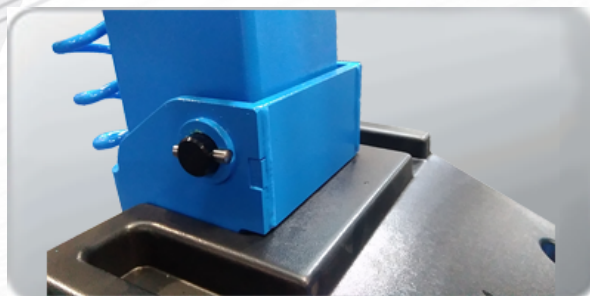
**Reinforced horizontal slide**



**Grub screws to eliminate the lateral plays on slide during machine operation**



**Column axle pivot and adjusting pads make machine more rigid and durable**



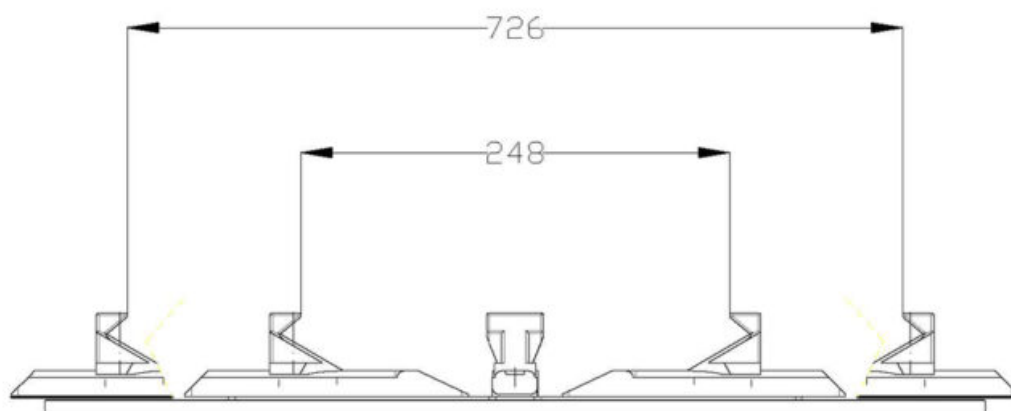
**Wheel inflation system controlled by a foot pedal as optional equipment**

**Ergonomic inside provides long and failureless functioning of the main components.  
Big and precise cylinder**



**Clamping range:**

---



## Standard equipment:

- Inflation gun
- Mounting lever
- Protective covers for clamps
- Plastic guard for the roller and foot slider

## Available Colors



Basic Colors



Custom Colors



