

## 2362 LH

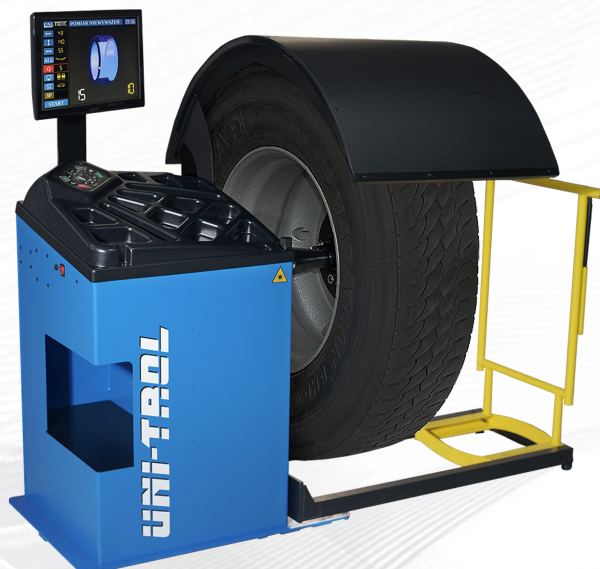
For truck, car and light truck wheels dynamic balancing in a single measurement cycle.

Voice synthesizer confirms each operation and suggests wheel balancing procedure.

Laser adjuster identifies precisely weight placement location..

### 2362 LH wheel balancer configuration:

- car and delivery truck wheel balancing
- truck wheel balancing
- calibration - separate for car and truck wheels
- voice synthesizer
- hood
- ALU Function - only for car wheels
- monitor LCD
- laser adjuster
- lift

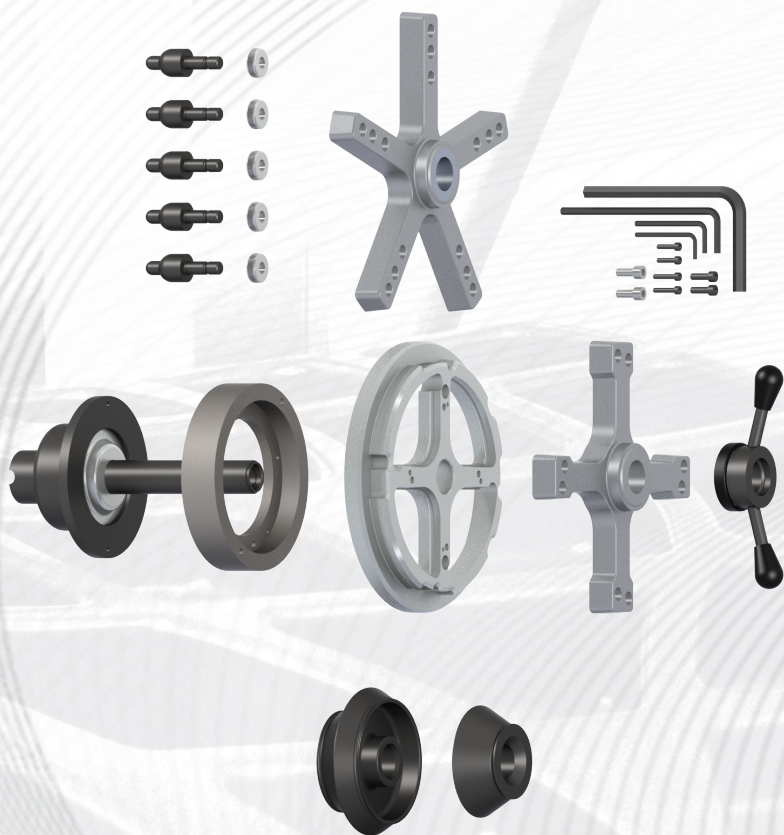


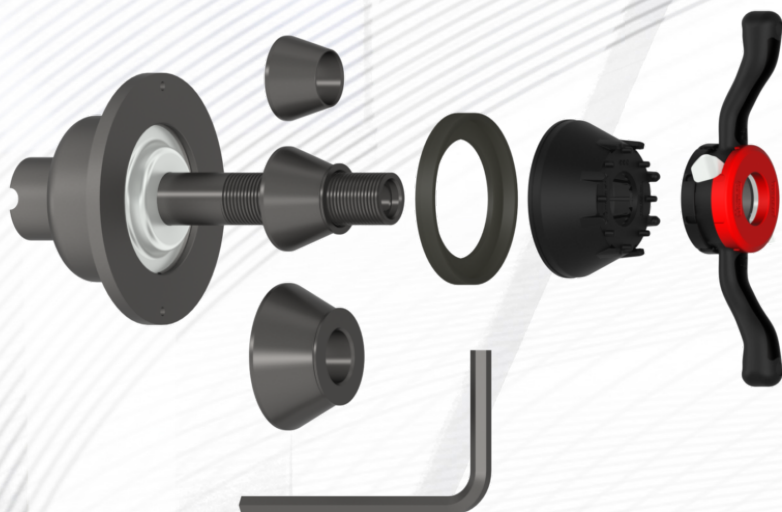
### Dane techniczne

Rim diameter range:	10" - 30"
Rim width range:	2" - 20"
Maximum wheel weight	200 kg
Balancing accuracy truck wheel	10 g
Balancing accuracy car wheel	1 g
Measuring speed	130 - 150 obr/min
Power of the drive engine	150 W
Electric supply	230V / 50 Hz
Pneumatic power supply	8 - 10 bar
Dimensions	1100/1630/1580
Weight	250 kg

## Standard equipment:

---





## Dostępne kolory



Kolory podstawowe



Kolory na zamówienie

## Wyposażenie dodatkowe

Indeks	Opis	Zdjęcie
150400009	Stożek 54-79 mm Ø40	
W-U-5AH	Uchwyt motocyklowy	
T-CĘG-001	Cęgi wulkanizatorskie	
WT-2065-1	Skrobak do ciężarków klejonych	

Indeks	Opis	Zdjęcie
150400008	Stożek 42-64,5 mm Ø40	
150400012	Stożek 74-111,5 mm Ø40	