

2362 LH

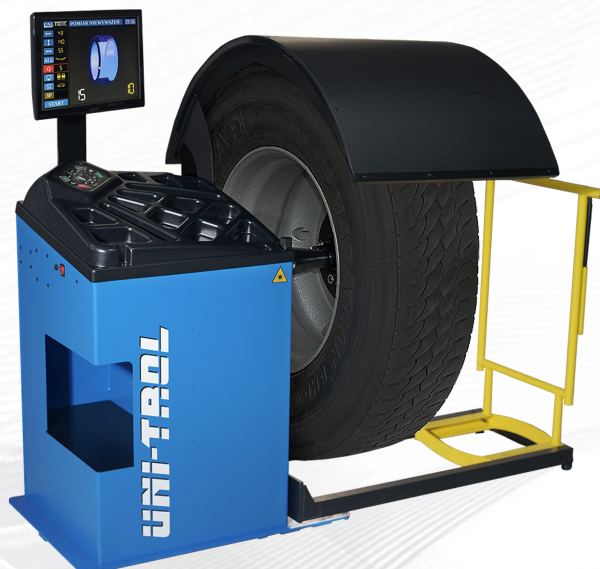
For truck, car and light truck wheels dynamic balancing in a single measurement cycle.

Voice synthesizer confirms each operation and suggests wheel balancing procedure.

Laser adjuster identifies precisely weight placement location..

2362 LH wheel balancer configuration:

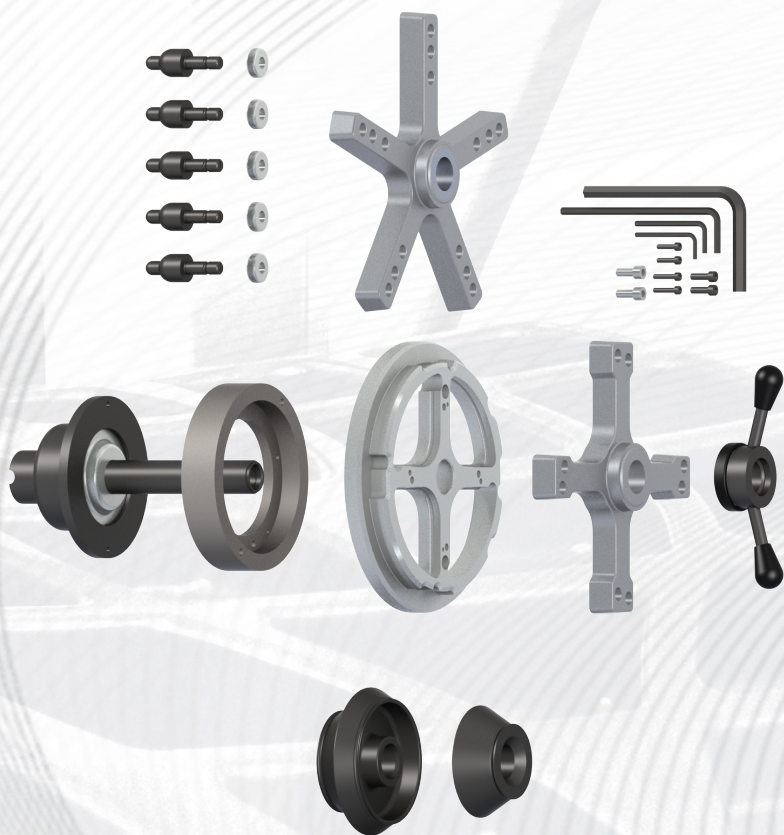
- car and delivery truck wheel balancing
- truck wheel balancing
- calibration - separate for car and truck wheels
- voice synthesizer
- hood
- ALU Function - only for car wheels
- monitor LCD
- laser adjuster
- lift

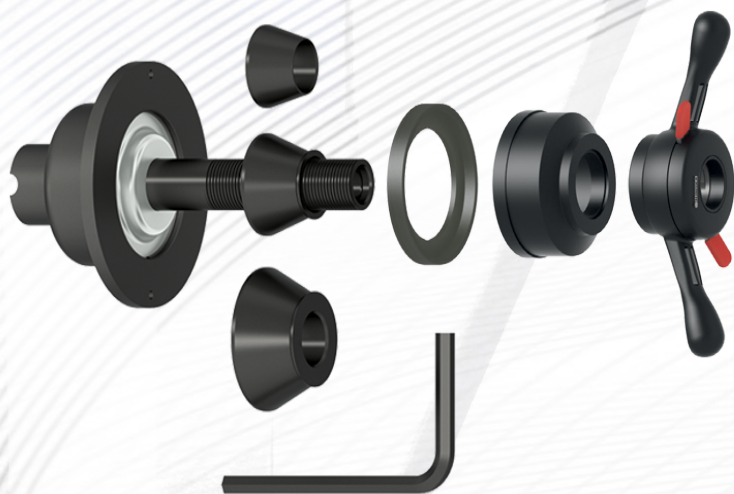


Technical Data

Rim diameter range:	10" - 30"
Rim width range:	2" - 20"
Maximum wheel weight	200 kg
Balancing accuracy truck wheel	10 g
Balancing accuracy car wheel	1 g
Measuring speed	130 - 150 obr/min
Power of the drive engine	150 W
Electric supply	230V / 50 Hz
Pneumatic power supply	8 - 10 bar
Dimensions	1100/1630/1580
Weight	250 kg

Standard equipment:





Available Colors



Basic Colors



Custom Colors

Additional Equipment

Index	Description	Photo
150400009	Cone 54-79 mm Ø40	
W-U-5AH	Motorcycle wheel adaptor	
T-CEG-001	Wheel Balancing Weight Plier & Hammer Tool	
WT-2065-1	Wheel Weight Scraper Tool	

Index	Description	Photo
150400008	Cone 42-64,5 mm Ø40	
150400012	Cone 74-111,5 mm Ø40	