

2412 USG

2412 USG. Measuring arm and ultrasonic sonar enter automatically rim dimensions: diameter, offset, width. The machine precisely indicates weight location on the rim.

2412 USG P. Pneumatic clamp reliably secures the wheel with a constant force.

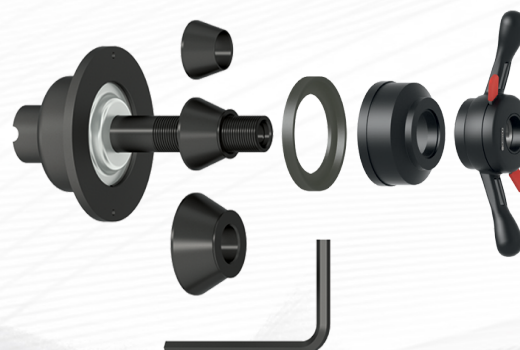


Technical Data

Rim diameter range:	10" - 30"
Rim width range:	2" - 15"
Maximum wheel weight	70 kg
Balancing accuracy	1 g
Measuring speed	140
Power of the drive engine	80 W
Electric supply	230V / 50 Hz
Dimensions	880/1070/1500
Weight	90 kg

Distinctive features:

Haweke SoftGrip with cylinder 40 mm
and 3 cones 44-111,5 mm.



Anvil.



LED touch panel.



Available Colors



Basic Colors




Custom Colors

Additional Equipment

Index	Description	Photo
DO-5P	Flange plate 5-bolts	
150400049	Cone 95-132 mm Ø40	
04.04.008.40	Cone 125-145 mm Ø40	
06.04.009.40	Cone 145-165 mm Ø40	

Index	Description	Photo
150400043	Cone 122-174 mm Ø40	
190400018	Distance spacer for shaft Ø40	
W-U-5AH	Motorcycle wheel adaptor	
PPK-2	Wheel lift PPK-1 for wheel balancer	

Index	Description	Photo
T-CĘG-001	Wheel Balancing Weight Plier& Hammer Tool	
WT-2065-1	Wheel Weight Scraper Tool	