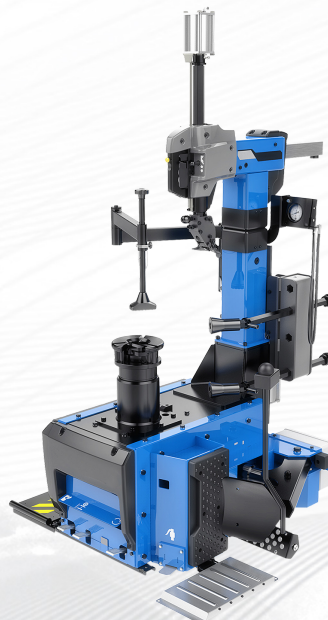


## S 40.3 E

Leverless automatic tyre changer with central post for auto and van, equipped with electric bead breaker integrated in the machine body, controlled through a separate 1Ph Motoinverter, pneumatic descent of the operating arm, kit of 4-positions pressing arms and wheel lifter.

Helicoidal motion of the vertical column and standard pedal inflation.

The central post has a clamping capacity from 12" to 30" inches and variable rotation speed obtained through a reliable motoinverter.



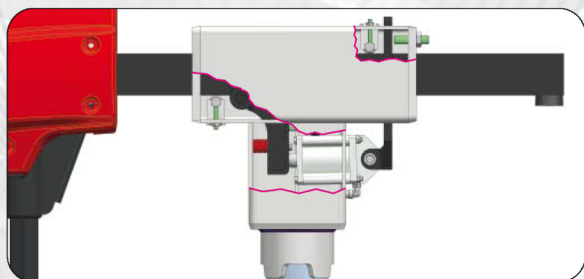
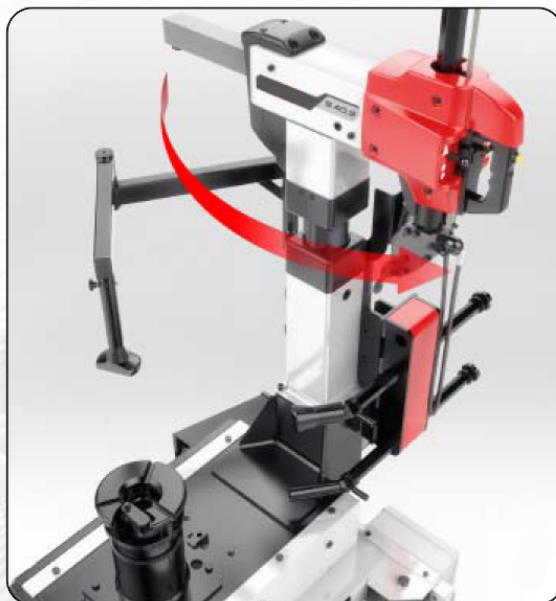
## Technical Data

Clamping capacity	12" - 30"
Max. wheel width	13"
Max. wheel diameter	1100 mm
Bead-breaker pressure force	3000 kg
Pneumatic supply	8 - 10 bar
Table rotation speed	7/14 obr./min.
Electric supply	230V / 50 Hz
Motor power	0,75 kW
Weight	420 kg
Wheel clamp	Mechanical
Dimensions	970/1930/1200
Wheel fastening	Central manual clamp

## Distinctive features:

---

**THE VERTICAL COLUMN** has been engineered in an extra rigid design. The column is equipped with a helicoidal motion, that allows to have the working area free from encumbrance, and to position the machine near a wall, recovering the "dead" space typical of most automatic tyre changers



**THE HORIZONTAL ARM** is equipped with a double locking system and with adjustable sliding rollers, that allow a more precise working quality

**WORKING ARM with pneumatic control  
of ascending and descending**



**THE PATENTED LEVERLESS TOOL  
allows to demount the  
tyre in a single operation: never use  
the bead lever again!  
Automatic tool equipped with rims  
protections**

**THE HELPING PNEUMATIC PRESSOR DEVICE** is composed by arms assembled on sliding slides, engineered to assist the operator during mounting and demounting operations of run-flat or UHP tyres



**The PATENTED UNIVERSAL WHEEL CLAMPING MANUAL DEVICE** is supplied with a central locking post for rims from 12" to 30" inches. The clamping accessories for rims with non-standard geometries are available upon request

**S 40.3 E The ELECTRICAL BEAD BREAKER INTEGRATED in the machine body,**  
is an innovative **PATENTED DEVICE** that allows to operate safely; the applied force ensures always high performances (more than 30%), since it is not affected nor by inlet pressure nor by pneumatic cylinder size.

The control buttons on the top of the handle allows a perfect control on movements and the varying penetration speed prevents damages to the tyre shoulder, due to the strong impacts of traditional pneumatic bed breakers



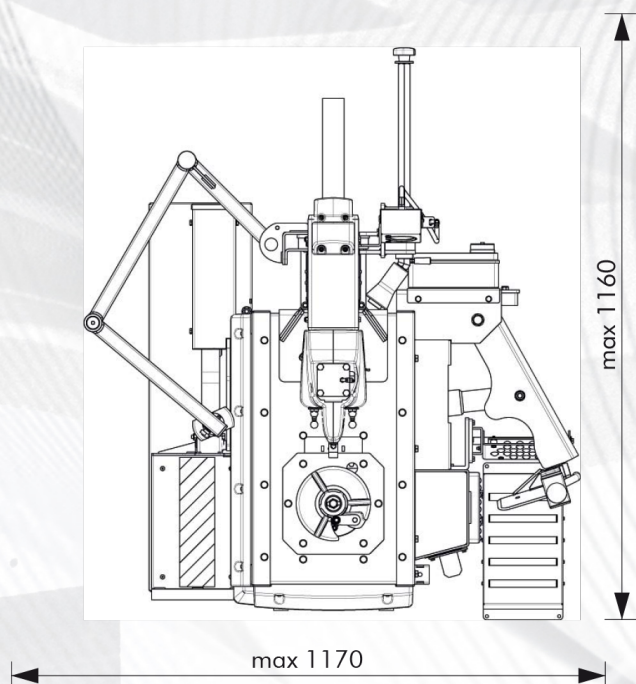
**The PATENTED, ERGONOMIC AND EASY-TO-INSTALL KIT OF TILTING AND FLOOR ROLLER TABLES** helps in all bead breaking operations, (options in all machines versions).

**THE EXTRACTABLE FOOT CONTROL**  
makes the maintenance  
operations easier.  
**TYRE INFLATING FOOT CONTROL**  
separate pedal position



## Working space:

---



## Standard equipment:

---

- Bead press arm
- Wheel lift
- Bead breaker guard
- Lubrication
- Foot pedal-controlled inflation system

## Available Colors



Basic Colors

