

2451 USG

2451 USG is a wheel balancer with automatic measuring arm entering wheel parameters and wheel guidance system directing the wheel to unbalance point. Laser line indicator shows precisely the weight position. The machine is equipped with ultrasonic sonar for contactless wheel width measurement and rim recognition system according to the entered parameters.

The completely new operating system based on two buttons and a wheel as a selection cursor makes the machine very intuitive to use.

- Automatic positioning lock
- Laser line indicator
- Ultrasonic non-contact rim width acquisition
- Voice synthesizer
- ALU programmes
- 2 ALU programmes for motorbikes
- programme "hidden weight"
- optimization
- LCD monitor

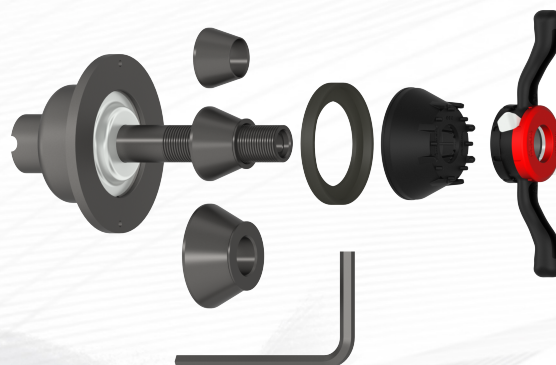


Dane techniczne

Rim diameter range:	10" - 30"
Rim width range:	2" - 15"
Maximum wheel weight	70 kg
Balancing accuracy	1 g
Measuring speed	140 obr/min
Power of the drive engine	80 W
Electric supply	230V / 50 Hz
Dimensions	1000/1170/1450
Weight	120 kg

Distinctive features:

**Haweke SoftGrip with cylinder 40 mm
and 3 cones 44-111,5 mm.**



Anvil.



Ergonomic tool tray.



Dostępne kolory



Kolory podstawowe




Kolory na zamówienie

Wyposażenie dodatkowe

Indeks	Opis	Zdjęcie
DO-5P	Docisk palcowy 5-bolcowy	
150400049	Stożek 95-132 mm Ø40	
04.04.008.40	Stożek 125-145 mm Ø40	
06.04.009.40	Stożek 145-165 mm Ø40	

Indeks	Opis	Zdjęcie
150400043	Stożek 122-174 mm Ø40	
190400018	Pierścień dystansowy do stożków dostawczych Ø40	
W-U-5AH	Uchwyt motocyklowy	
PPK-2	Podnośnik koła PPK-1	

Indeks	Opis	Zdjęcie
T-CĘG-001	Cęgi wulkanizatorskie	
WT-2065-1	Skrobak do ciężarków klejonych	