

## 2322 H

**2322 H** is a wheel balancer for dynamic balancing of truck and car wheels in one measurement cycle. Simple and fast calibration system makes work easier and improves balancing accuracy. The machine has legible desktop with LCD display.

### 2322 H Wheel Balancer configuration:

- car and light truck wheel balancing
- truck wheel balancing
- calibration - separate for car and truck wheels
- positioning device / automatic stop at wheel imbalance
- hood
- ALU Function + SPLIT (Hidden Weight) Function - only for car wheels
- digital and LED display indications
- manual offset input
- lift

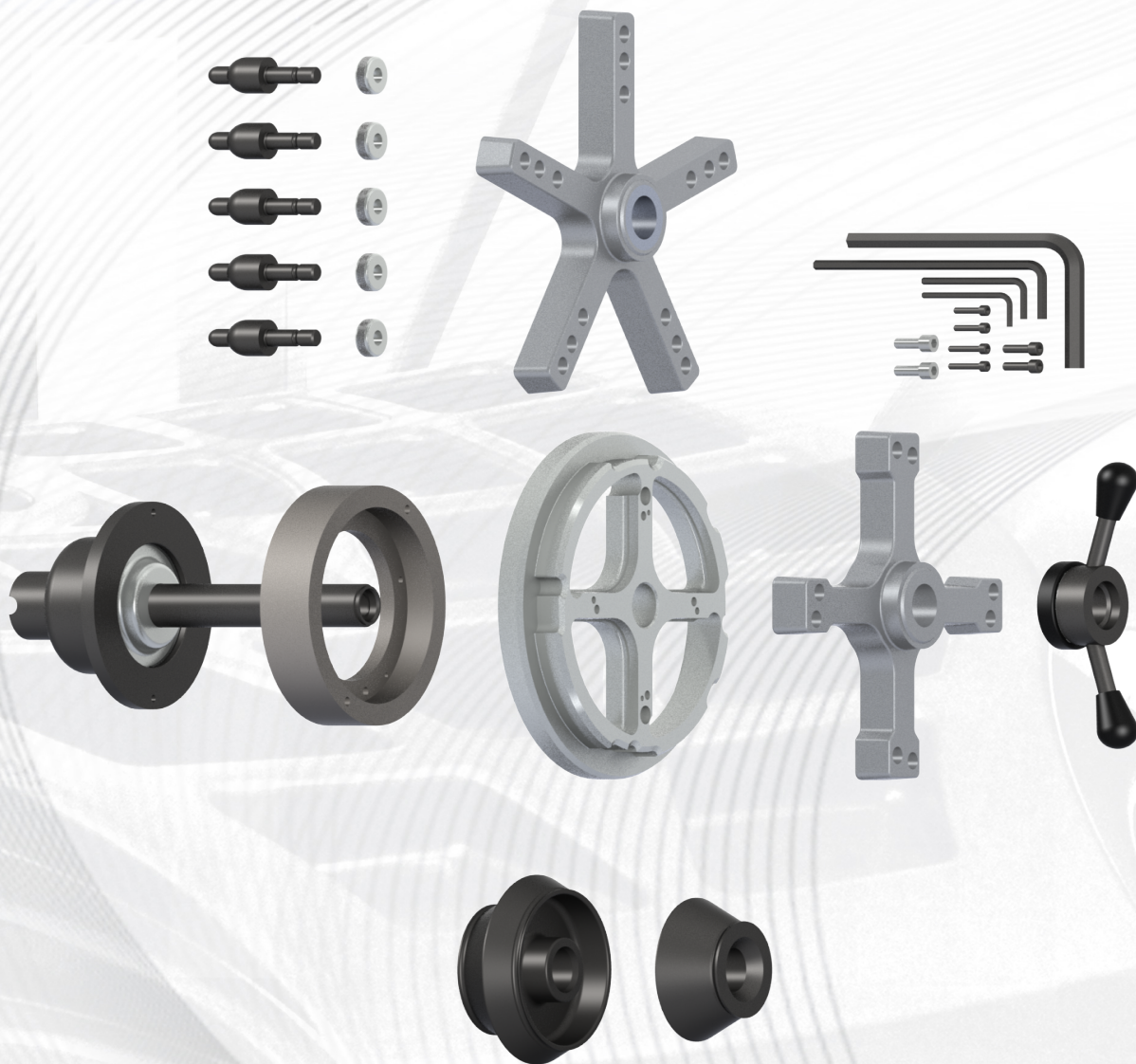


### Dane techniczne

|                                |                |
|--------------------------------|----------------|
| Rim diameter range:            | 10" - 30"      |
| Rim width range:               | 2" - 20"       |
| Maximum wheel weight           | 200 kg         |
| Balancing accuracy truck wheel | 10 g           |
| Balancing accuracy car wheel   | 1 g            |
| Measuring speed                | 120 obr/min    |
| Power of the drive engine      | 150 W          |
| Electric supply                | 230V / 50 Hz   |
| Pneumatic power supply         | 8 - 10 bar     |
| Dimensions                     | 1100/1630/1580 |
| Weight                         | 250 kg         |

## Standard equipment:

---



## Dostępne kolory

**UNI-TROL Sp. z o.o.**  
ul. Estrady 56  
01-932 Warszawa

tel. (22) 817 94 21 22, 817 94 34 35, 834 90 13 14  
SPRZEDAŻ wew. 118 i 121, SERWIS wew. 131 i 134  
[www.unitrol.pl](http://www.unitrol.pl) | [office@unitrol.pl](mailto:office@unitrol.pl) | [serwis@unitrol.pl](mailto:serwis@unitrol.pl)



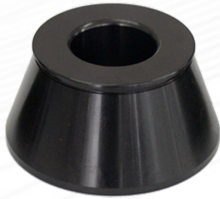
Kolory podstawowe



Kolory na zamówienie

## Wyposażenie dodatkowe

| Indeks    | Opis                           | Zdjęcie   |
|-----------|--------------------------------|---|
| 150400009 | Stożek 54-79 mm Ø40            |    |
| T-CĘG-001 | Cęgi wulkanizatorskie          |   |
| WT-2065-1 | Skrobak do ciężarków klejonych |  |
| 150400008 | Stożek 42-64,5 mm Ø40          |  |

| Indeks    | Opis                   | Zdjęcie   |
|-----------|------------------------|---|
| 150400012 | Stożek 74-111,5 mm Ø40 |  |