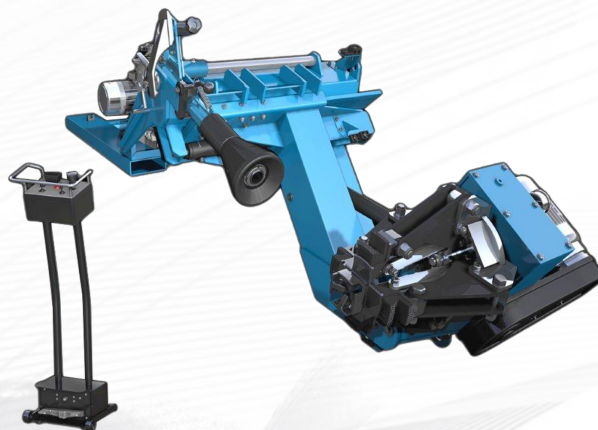


UT 27 Mobile

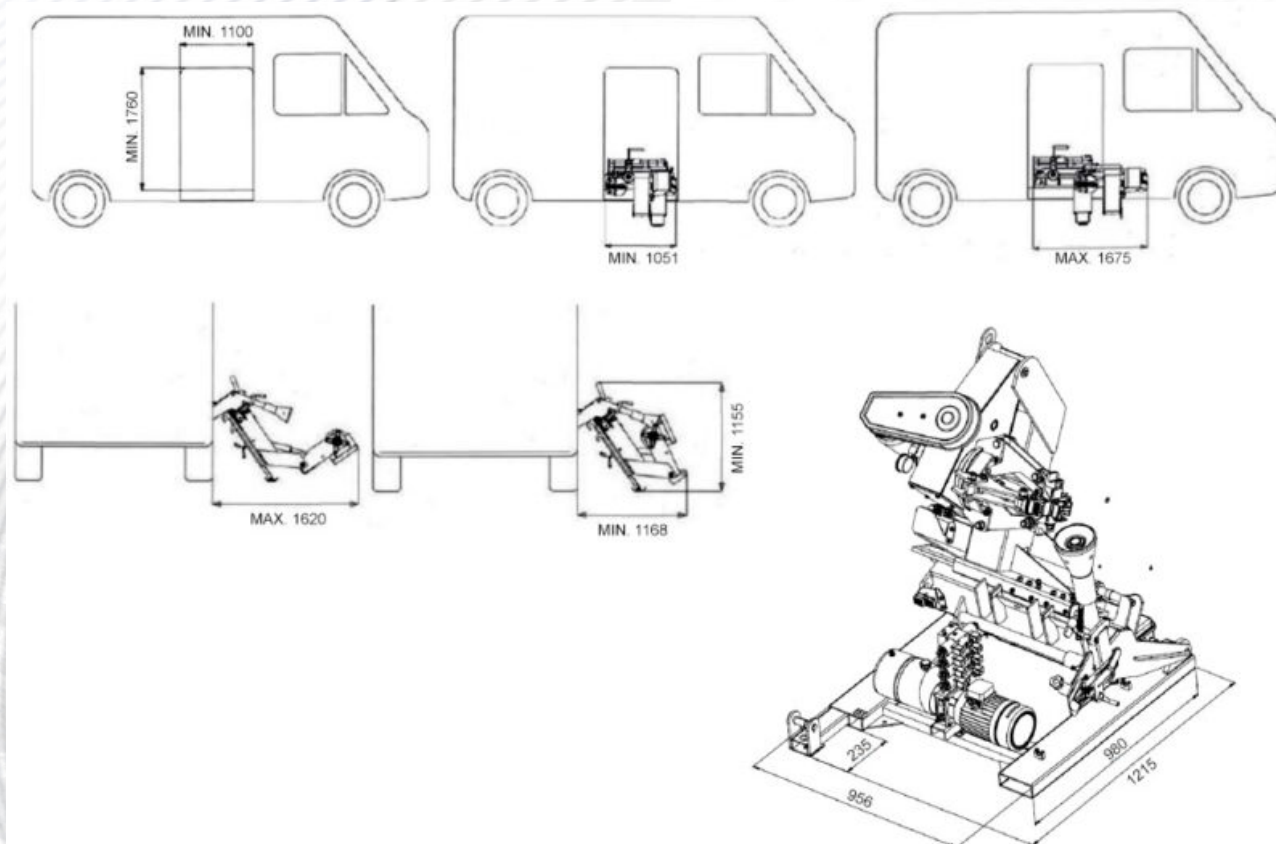
The **UT-27 Mobile** is an electro-hydraulic mobile tyre fitting machine for 13 to 26 inch tyres with a safe operating voltage of 24 Volt. The UT-27Mobile for heavy use is a powerful, compact tyre changing machine that can be installed in service vans for changing and fitting tyres on location.

With 4 self-centering clamping claws, handle, dismantling roller.
Max. Mounting height from the floor: 770 mm.
Fastening to the vehicle floor with at least 4 screws.
Mounting on the side or behind the vehicle.



Technical Data

Clamping capacity	13" - 26"
Max. wheel width	600 mm
Max. wheel diameter	1300 mm
Maximum wheel weight	750 kg
Weight	450 kg
Bead-breaker pressure force	2500 kg
Wheel clamp	Hydrauliczny
Motor power	1,5 kW
Pump motor	2,2 kW
Pressure	130 bar
Electric supply	3x400V / 50Hz



Available Colors



Basic Colors

