

2312 L

2312 L is a wheel balancer with laser measuring arm to enter wheel parameters. The system memorizes the data and shows precisely the weight location. The machine is equipped with ultrasonic sonar for contactless wheel width measurement.

- Automatic positioning lock
- Laser adjuster
- Ultrasonic non-contact rim width acquisition
- ALU programmes
- 2 ALU programmes for motorbike
- Optimization
- Programme "hidden weight"

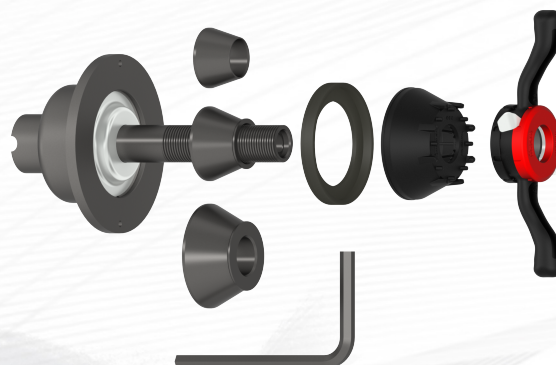


Dane techniczne

| | |
|---------------------------|---------------|
| Rim diameter range: | 10" - 30" |
| Rim width range: | 2" - 15" |
| Maximum wheel weight | 70 kg |
| Balancing accuracy | 1 g |
| Measuring speed | 140 |
| Power of the drive engine | 80 W |
| Electric supply | 230V / 50 Hz |
| Dimensions | 880/1070/1500 |
| Weight | 90 kg |

Distinctive features:

**Haweke SoftGrip with cylinder 40 mm
and 3 cones 44-111,5 mm.**



Anvil.



Ergonomic tool tray.



Dostępne kolory



Kolory podstawowe





Kolory na zamówienie

Wyposażenie dodatkowe

| Indeks | Opis | Zdjęcie |
|--------------|--------------------------|---|
| DO-5P | Docisk palcowy 5-bolcowy |  |
| 150 400 049 | Stożek 95-132 mm Ø40 |  |
| 06.04.008.40 | Stożek 125-145 mm Ø40 |  |
| 06.04.009.40 | Stożek 145-165 mm Ø40 |  |

| Indeks | Opis | Zdjęcie |
|-----------|---|---|
| 150400043 | Stożek 122-174 mm Ø40 |  |
| 190400018 | Pierścień dystansowy do stożków dostawczych Ø40 |  |
| W-U-5AH | Uchwyt motocyklowy |  |
| PPK-2 | Podnośnik koła PPK-1 |  |

| Indeks | Opis | Zdjęcie |
|-----------|--------------------------------|---|
| T-CĘG-001 | Cęgi wulkanizatorskie |  |
| WT-2065-1 | Skrobak do ciężarków klejonych |  |